



Type:

Project:

# GALAXY Cylinder 4"



## DESCRIPTION

Elegant and timeless, the GALAXY Cylinder is a stunning choice for any modern spaces. Its robust construction and understated sophistication set it apart as a fixture of enduring style. The pendant features a sleek, round metal drum shade with an open bottom, designed to deliver direct, focused light where it's needed most.

## FEATURES

- Low glare UGR<16 for visual comfort.
- Tunable white 2700-5000K.
- Wide range of dimming methods.
- Family design in 3 sizes.
- Multiple mounting options: pendant, surface, wall.
- High quality finish in versatile colors.
- IP65 for wet location.

## ELECTRICAL

Power: 20W, 25W  
 Voltage: AC 120-277V  
 Frequency: 50/60Hz  
 Power factor: >0.90  
 Dimming: On-off / 0/1-10V / DALI / TRIAC / CCT Switch / Casambi

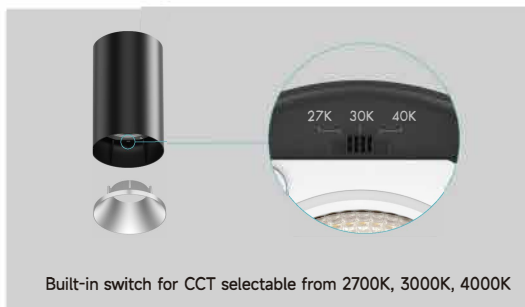
## OPTICAL

LED type: COB  
 Lumen output: 1730lm (20W), 2056lm (25W)  
 Beam optic: Spot(24°, 38°) / Flood(50°)  
 Color quality: CRI 90+, SDCM≤3  
 Light color: Static white: 2700K/3000K/3500K/4000K  
 CCT Selectable: 2700K-3000K-4000K  
 Tunable White: 2700K-5000K

## LUMINAIRE

Installation methods: Surface, Suspended, Wall  
 Frame color: White/Black/Custom  
 Operating temperature: -20°C-40°C  
 Lifespan: >50000h@80%(L80)  
 Warranty: 5 years limited warranty  
 Standards: ETL Listed to US and Canadian standards for damp locations.

## DETAILS





Type:

Project:

**ORDERING INFORMATION**

GR100						
SERIES	INSTALLATION	FRAME COLOR	CRI	CCT	OPTIC	DIMMING
<input type="checkbox"/> <b>GR100</b> GALAXY 4"	<input type="checkbox"/> <b>SM</b> Surface-mounted  <input type="checkbox"/> <b>SPI</b> Suspended with Integrated cord & wire  <input type="checkbox"/> <b>SPS</b> Suspended with Separate cord & wire  <input type="checkbox"/> <b>SPR</b> Suspended with Rod fixed  <input type="checkbox"/> <b>SPA</b> Suspended with Rod adjustable  <input type="checkbox"/> <b>WM</b> Wall-mounted	<input type="checkbox"/> <b>W</b> White  <input type="checkbox"/> <b>B</b> Black  <input type="checkbox"/> <b>C</b> Custom	<input type="checkbox"/> <b>9</b> 90+	<input type="checkbox"/> <b>27</b> 2700K  <input type="checkbox"/> <b>30</b> 3000K  <input type="checkbox"/> <b>35</b> 3500K  <input type="checkbox"/> <b>40</b> 4000K  <input type="checkbox"/> <b>CS</b> CCT Selectable 2700K-3000K- 4000K  <input type="checkbox"/> <b>TW</b> Tunable White 2700K-5000K	<input type="checkbox"/> <b>024</b> Spot 24°  <input type="checkbox"/> <b>038</b> Spot 38°  <input type="checkbox"/> <b>050</b> Flood 50°	<input type="checkbox"/> <b>V</b> 0/1-10V  <input type="checkbox"/> <b>T</b> Triac  <input type="checkbox"/> <b>X</b> 0-10V/Triac  <input type="checkbox"/> <b>D</b> DALI  <input type="checkbox"/> <b>S</b> CCT Switch  <input type="checkbox"/> <b>C</b> Casambi  <input type="checkbox"/> <b>N</b> Non-dimming

**ACCESSORIES** (TO BE ORDERED SEPARATELY)  
FOR INSTALLATION CONSULT THE INSTRUCTION SHEET

**SECONDARY REFLECTOR COLOR**

**Black**  
GR100-SB



**Bright Silver**  
GR100-SBS



**Matt Silver**  
GR100-SMS



**Gold**  
GR100-SG





Type:

Project:

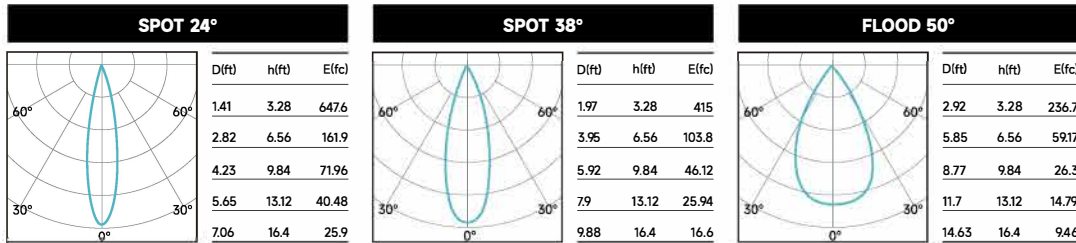
**PHOTOMETRIC DATA (NON-DIMMING)**

POWER	CCT	CRI	BEAM OPTIC	LUMENS (lm)	EFFICACY (lm/W)	MAX CANDELA (cd)
20W	3000K	90	24°	1702	91	6988
			38°	1730	92	4482
			50°	1668	88	2531
25W	3000K	90	24°	2018	89	8279
			38°	2056	91	5303
			50°	1948	86	2953

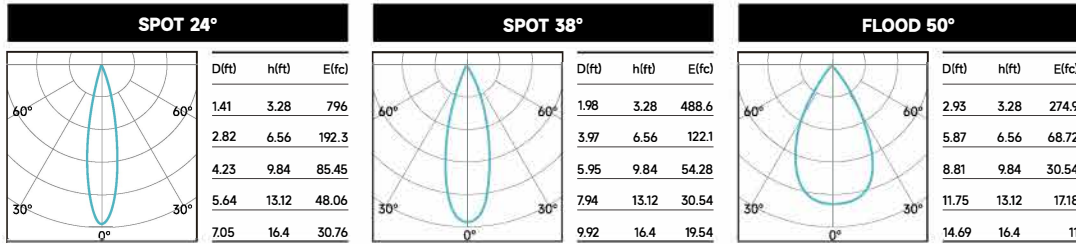
Above test data is based on GR100 with 3000K 90CRI LED.

**LIGHT DISTRIBUTION**

**3000K 20W**



**3000K 25W**



Above test data is based on GR100 with 3000K 90CRI LED.

**LUMEN MULTIPLIERS**

CCT	MULTIPLIER
2700K	0.95
3000K	1.00
3500K	1.03
4000K	1.05

**Applying Lumen Multipliers to Calculate Delivered Lumens**

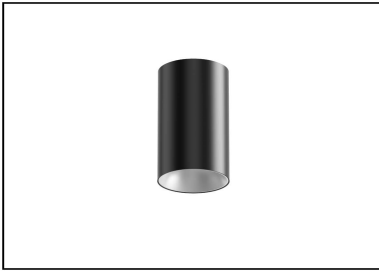
Base Fixture Delivered Lumens (from PHOTOMETRIC DATA)	x	CCT Multiplier	=	Delivered Lumens for Desired Fixture
<b>STANDARD TRIM Example: GR100 3500K</b>				
1316 lm	x	1.03	=	1395 lm



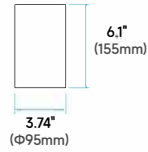
Type:

Project:

**DIMENSION**

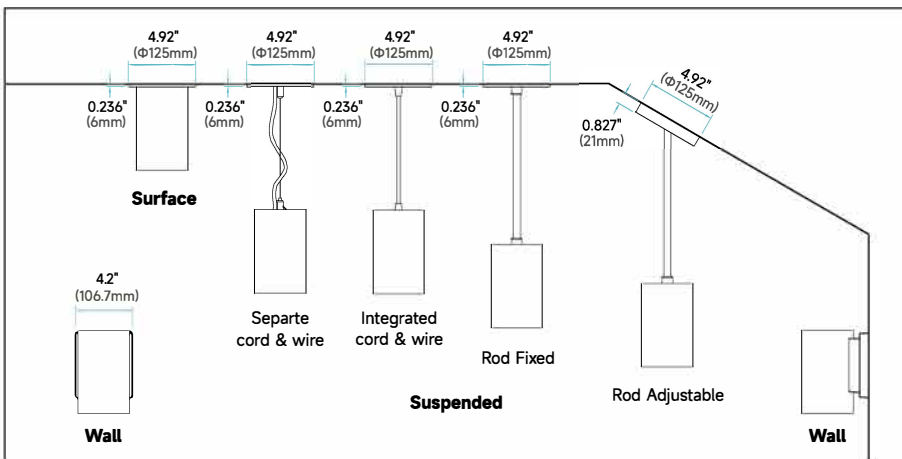


**GR100**

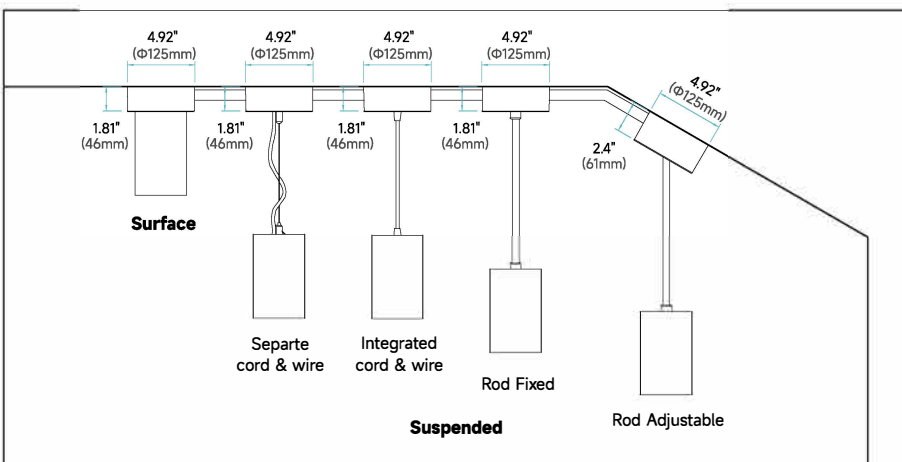


**INSTALLATION**

**Recessed J-Box**



**Surface J-Box**





Type:

**SPECIFICATION SHEET**

Project:

Page 5 / 5



### **CYLINDER LIGHT SYSTEM**

The CYLINDER series features minimalist modern design, equipped with a wide selection of optical accessories and high performance LED to provide ideal illumination versatile enough for whatever your project's needs.

The thoroughly optimization from structure and lighting towards the pain points of industry make it more easy to install, maintain, and more neat for beautiful look.

---

#### **NOURDIC LIGHTING COMPANY**

Locations: USA: 485 Glenbrook Dr, Lake Worth, FL 33462  
Canada: 480 Warren Rd, King City ON L7B 1C4

E: [info@nuordic.com](mailto:info@nuordic.com)  
T: +1-561-695-4107

 **NOURDIC**  
Lighting Company  
[www.nuordic.com](http://www.nuordic.com)